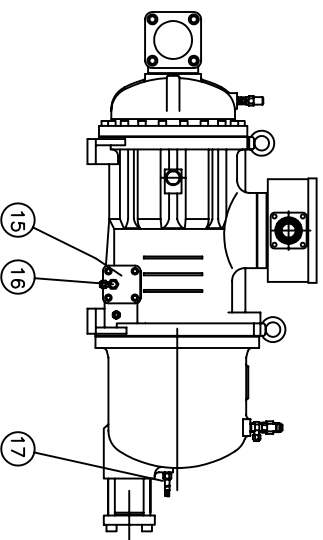
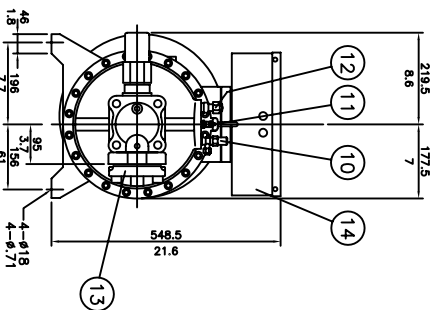
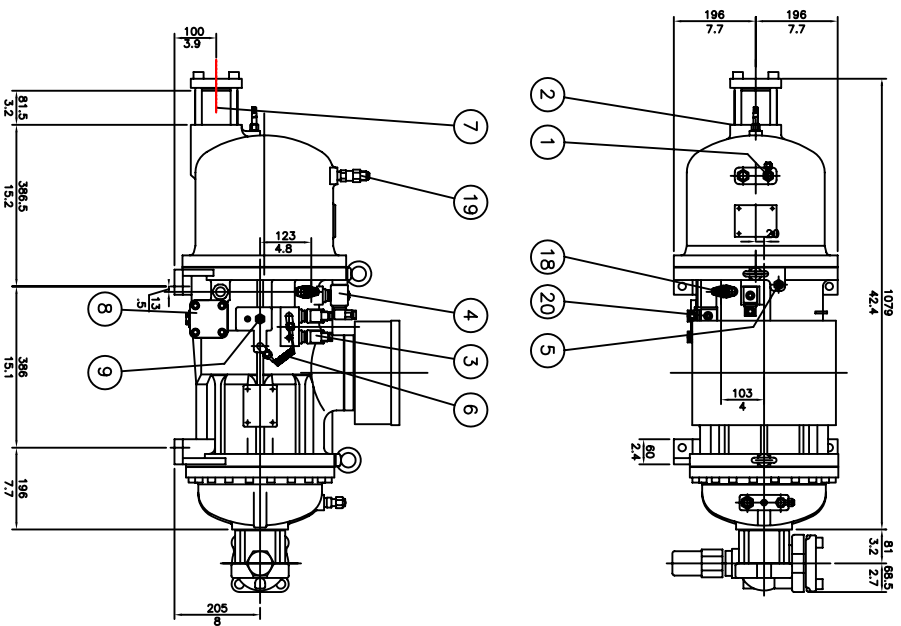


No.	Name	Note	No.	Name	Note
1	Angle valve	1/4"Flare	11	Refrigerant Service valve	1/4"Flare
2	Discharge flange	2"	12	Liquid Injection Connector	5/8"Flare, option
3	Solenoid valve	33%(NC)	13	Suction flange	2 1/2"
4	Solenoid valve	66%(NC)	14	Cable box	Standard
5	Liquid/oil or refrigerant Injection connector	1/4"Flare, option	15	Service flange	
6	Capillary		16	Oil drain valve	option
7	Check valve	2"	17	Discharge Temp. sensor	110°C
8	Service flange		18	Economizer connector	5/8", solder
9	Oil Inlet Connector	3/8"Flare	19	Safety Valve	option
10	Angle valve	1/4"Flare	20	Solenoid valve	Stepless(NO), option

*All stop valves are optional.



Dimensional Outline Drawing & Component Description
for Stepless or Modulating-Type Capacity Control Application

Hanbell Model RC2-180BF
Date and Rev. 03/20/2009 A
Drawn By B.Lai



Micro Control Systems, Inc.
5877 Enterprise Parkway
Fort Myers, Florida 33905
Tel. (239) 694-0089 Fax (239) 694-0031
E-mail: compressors@mcscontrols.com

Hanbell Precise Machinery Co., Ltd.
 HANBELL