

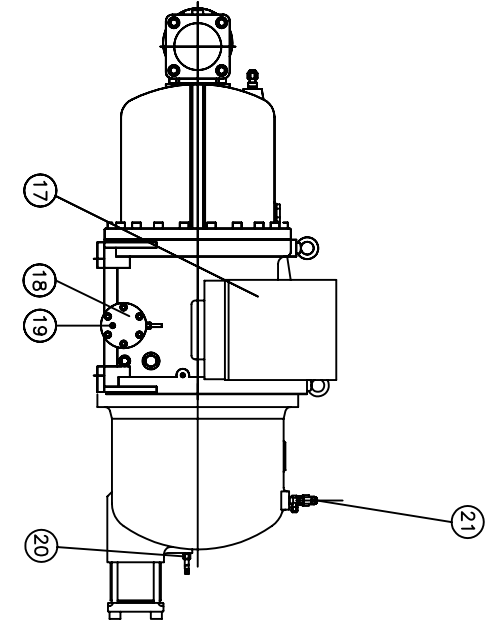
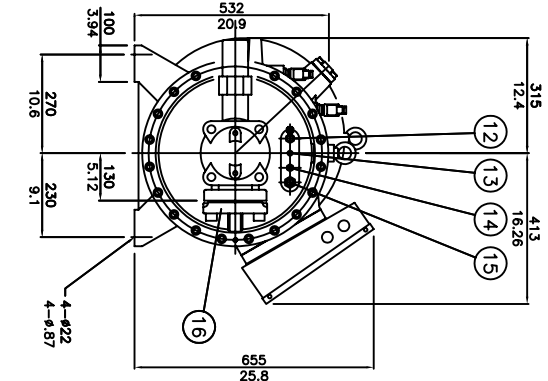
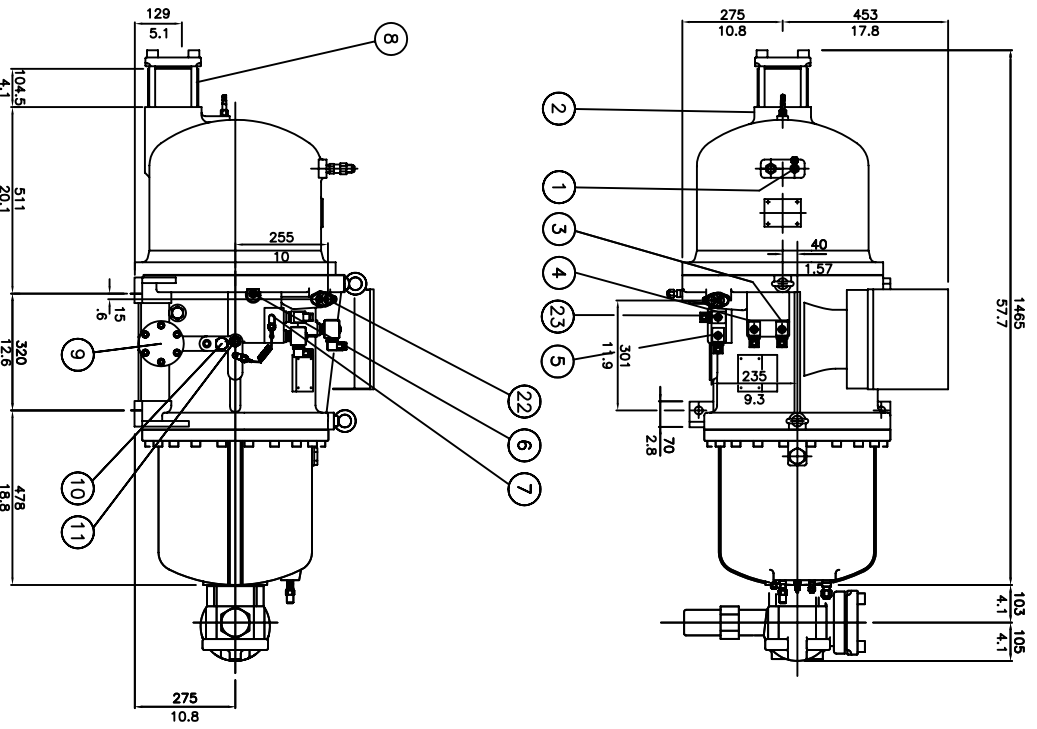
Dimensional Outline Drawing & Component Description  
for Stepless or Modulating-Type Capacity Control Application

Hanbell Model RC2-470BF  
Date and Rev. 03/20/2009 A  
Drawn By B.Loi



Micro Control Systems, Inc.  
5877 Enterprise Parkway  
Fort Myers, Florida 33905  
Tel. (239) 694-0089 Fax (239) 694-0031  
E-mail: compressors@mcscontrols.com

Hanbell Precise Machinery Co., Ltd.  
 HANBELL



No.	Name	Note	No.	Name	Note
1	Angle valve	1/4"Flare	13	Refrigerant service valve	1/4"Flare
2	Discharge flange	3"	14	Connector	1/4"Flare
3	Solenoid valve	50%(NC)	15	Liquid Injection Compressor	5/8"Flare, option
4	Solenoid valve	75%(NC)	16	Suction flange	4"
5	Solenoid valve	25%(NC)	17	Cable box	Standard
6	Liquid(oil or refrigerant) injection connector	3/8"Flare, option	18	Service flange	
7	Capillary		19	Oil drain valve	option
8	Check valve	3"	20	Discharge temp. sensor	110°C
9	Service flange		21	Safety Valve	option
10	Stop Pin		22	Economizer port	7/8", solder
11	Oil Inlet connector	5/8"Flare	23	Solenoid valve	Stepless(NO), option
12	Angle valve	1/4"Flare			

\*All stop valves are optional