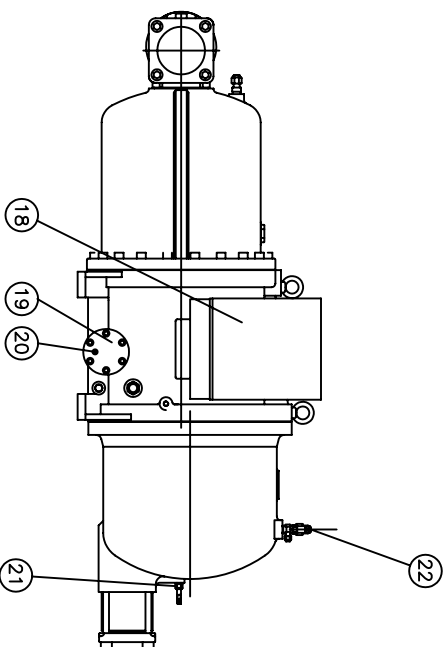
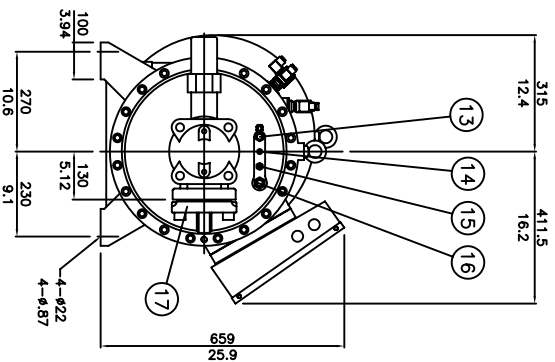
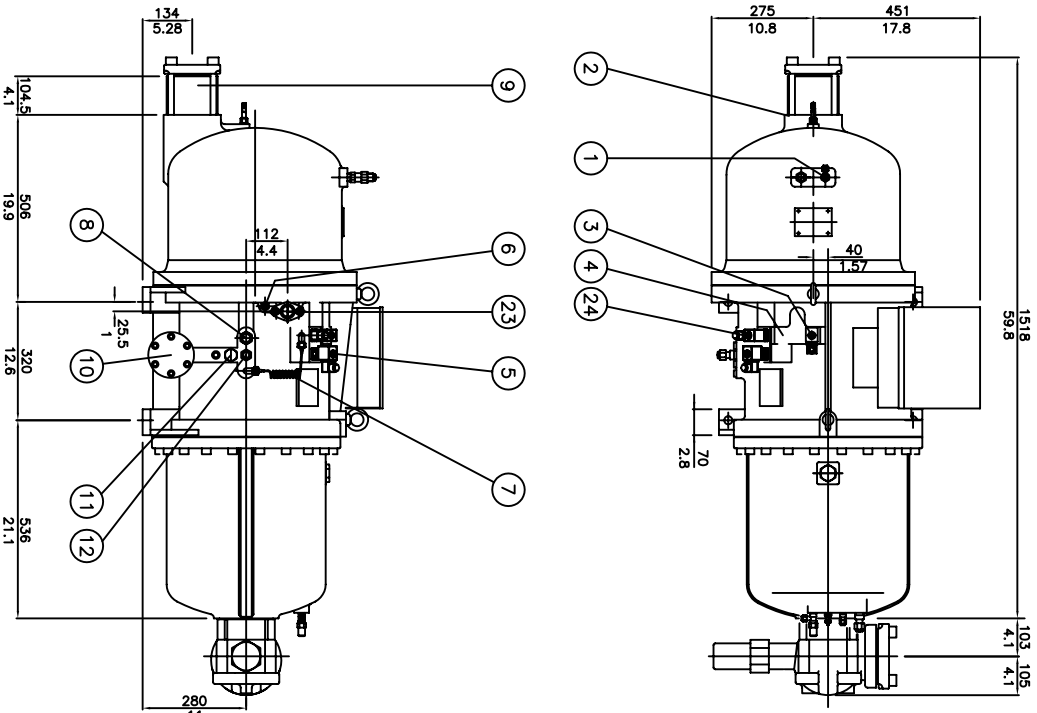


No.	Name	Note	No.	Name	Note
1	Angle valve	1/4"Flare	13	Angle valve	1/4"Flare
2	Discharge flange	3"	14	Refrigerant service valve	1/4"Flare
3	Solenoid valve	50%(NC)	15	Connector	1/4"Flare
4	Solenoid valve	75%(NC)	16	Liquid Injection connector	5/8"Flare, option
5	Solenoid valve	25%(NC)	17	Suction flange	4"
6	Liquid (oil or refrigerant) Injection connector	3/8"Flare, option	18	Cable box	Standard
7	Capillary		19	Service flange	
8	Oil flow sight glass		20	Oil drain valve	option
9	Check valve	3"	21	Discharge temp. sensor	110°C
10	Service flange		22	Safety Valve	option
11	Stop Pin		23	Economizer port	1 1/8", solder
12	Oil Inlet connector	5/8"Flare	24	Solenoid valve	Stepless(NO), option

\*All stop valves are optional.



Dimensional Outline Drawing & Component Description  
for Stepless or Modulating-Type Capacity Control Application

Hanbell Model RC2-550BF  
Date and Rev. 03/20/2009 A  
Drawn By B.lai



Micro Control Systems, Inc.  
5877 Enterprise Parkway  
Fort Myers, Florida 33905  
Tel. (239) 694-0089 Fax (239) 694-0031  
E-mail: compressors@mcscontrols.com

Hanbell Precise Machinery Co., Ltd.

