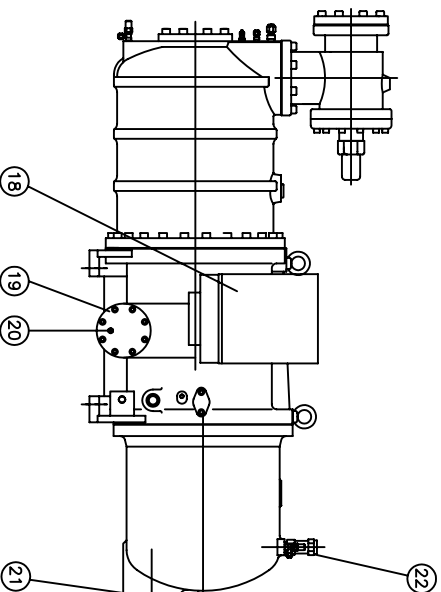
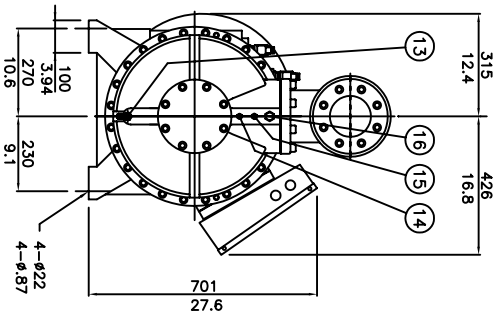
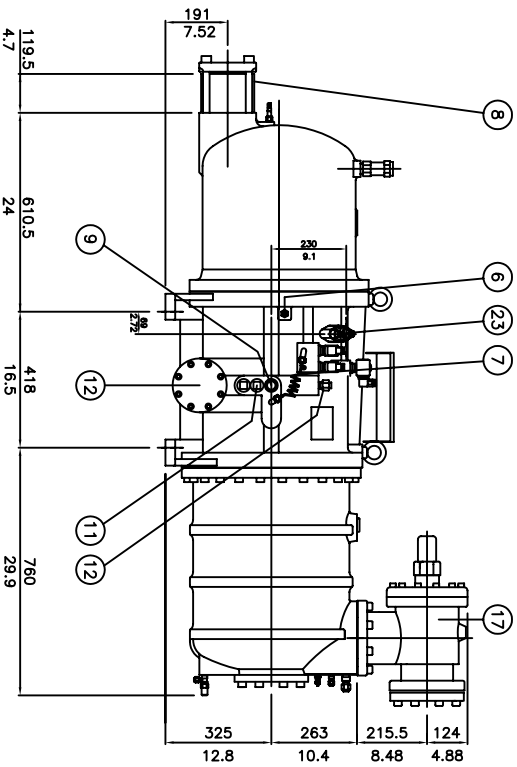
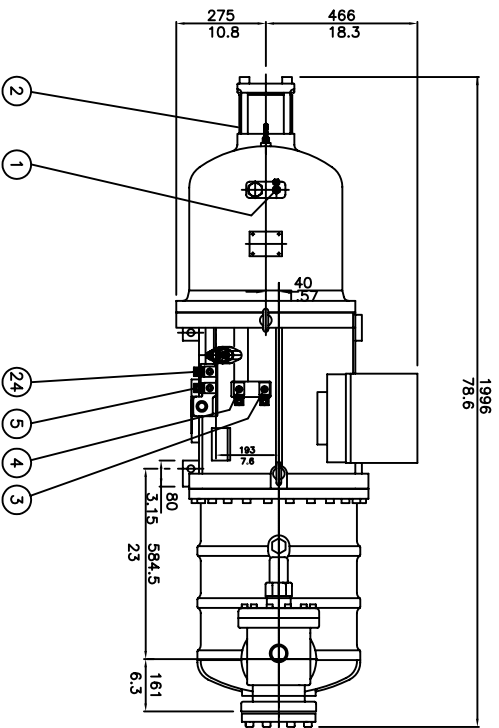


No.	Name	Note	No.	Name	Note
1	Angle valve	1/4"Flare	13	Angle valve	1/4"Flare
2	Discharge flange	4"	14	Refrigerant service valve	1/4"Flare
3	Solenoid valve	50%(NC)	15	Connector	1/4"Flare
4	Solenoid valve	75%(NC)	16	Liquid Injection connector	5/8"Flare
5	Solenoid valve	30%(NC)	17	Suction flange	5"
6	Liquid(oil or refrigerant) injection connector	3/8"Flare,option	18	Cable box	Standard
7	Capillary		19	Service flange	
8	Check valve	4"	20	Oil drain valve	option
9	Oil flow sight glass		21	Discharge temp. sensor	110°C
10	Service flange		22	Safety Valve	option
11	Stop pin		23	Economizer port	1 1/8", solder
12	Oil inlet connector	3/4"Flare	24	Solenoid valve	Steinless(NO), option

*All stop valves are optional.



Dimensional Outline Drawing & Component Description
for Stepless or Modulating-Type Capacity Control Application

Hanbell Model RC2-790BF/RC2-830BF

Date and Rev. 03/20/2009 A

Drawn By B.Lai



Micro Control Systems, Inc.
5877 Enterprise Parkway
Fort Myers, Florida 33905

Tel. (239) 694-0089 Fax (239) 694-0031

E-mail: compressors@mcscontrols.com

